

**Catalogo parti di ricambio  
Spare parts catalogue  
Ersatzteilkatalog  
Catalogue pieces detachees  
Catalogo de repuestos**

Model:.....**9LT\_MS25 (MULTI)**.....

Code:.....**X**.....

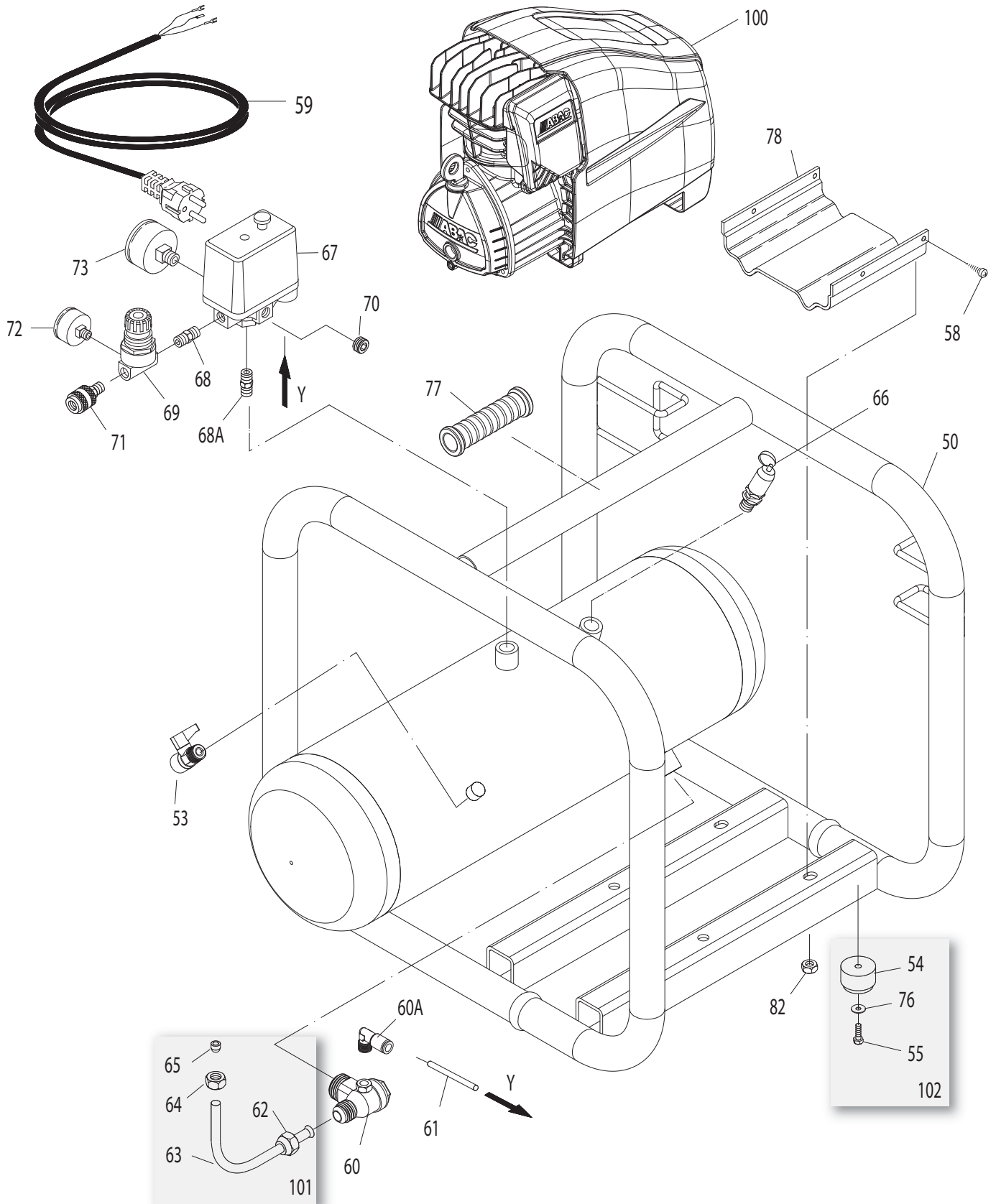
Valid from: .....**01/06/2017**.....



## INDEX

| Table | Model         | pag. |
|-------|---------------|------|
| 1     | 1129100051_00 | 4    |
| 2     | 1129102623_00 | 6    |
| 3     |               |      |
| 4     |               |      |
| 5     |               |      |
| 6     |               |      |
| 7     |               |      |
| 8     |               |      |
| 9     |               |      |
| 10    |               |      |

Model: ..... 9LT\_MS25 (MULTI) .....  
 Code: ..... X .....  
 Valid from: 01/06/2017 .....  
 Tav.: ..... 1129100051\_00 .....



Model: ..... 9LT\_MS25 (MULTI) .....  
 Code: ..... X .....  
 Valid from: 01/06/2017 .....  
 Tav.: ..... 1129100051\_00 .....

| N°  | Code       | Q.ty | Q.ty* | Description                                  | N° | Code | Q.ty | Q.ty* | Description |
|-----|------------|------|-------|--|----|------|------|-------|-------------|
| 50  | 1129704588 | 1    |       | SERBATOIO 9L<br>TANK                         |    |      |      |       |             |
| 53  | 1129700750 | 1    |       | VALVOLA A SFERA 1/4"<br>BALL VALVE           |    |      |      |       |             |
| 54. | X          | 4    |       | GOMMINO<br>RUBBER FOOT                       |    |      |      |       |             |
| 55. | X          | 4    |       | VITE M8X40<br>SCREW                          |    |      |      |       |             |
| 58. | X          | 4    |       | VITE ST5X20<br>SCREW                         |    |      |      |       |             |
| 59  | 1129100092 | 1    |       | CAVO ALIMENTAZIONE<br>POWER CABLE            |    |      |      |       |             |
| 59B | 1127320901 | 1    |       | CAVO ALIMENTAZIONE UK<br>POWER CABLE         |    |      |      |       |             |
| 60  | 1127190008 | 1    |       | VALVOLA DI RITEGNO<br>CHECK VALVE            |    |      |      |       |             |
| 60A | 1127080078 | 1    |       | RACCORDO 1/8"-D6<br>FITTING                  |    |      |      |       |             |
| 61  | 1127230001 | 1    |       | TUBO RILSAN D6<br>RILSAN TUBE                |    |      |      |       |             |
| 62  | 1129700631 | 1    |       | DADO 3/8"G<br>NUT                            |    |      |      |       |             |
| 63  | 1129704591 | 1    |       | TUBO ALIMENTAZIONE D10<br>INFEED HOSE        |    |      |      |       |             |
| 64  | 1129700325 | 1    |       | DADO M16<br>NUT                              |    |      |      |       |             |
| 65  | 1127040107 | 1    |       | OGIVA<br>OGIVE                               |    |      |      |       |             |
| 66  | 1127190227 | 1    |       | VALVOLA DI SICUREZZA 10.5BAR<br>RELIEF VALVE |    |      |      |       |             |
| 67  | 1129700388 | 1    |       | PRESSOSTATO CE<br>PRESSURE SWITCH            |    |      |      |       |             |
| 68  | 1129700330 | 1    |       | RACCORDO<br>FITTING                          |    |      |      |       |             |
| 68A | 1129102691 | 1    |       | RACCORDO<br>FITTING                          |    |      |      |       |             |
| 69  | 1127100064 | 1    |       | RIDUTTORE DI PRESSIONE<br>PRESSURE REDUCER   |    |      |      |       |             |
| 70  | 1127090007 | 1    |       | DADO R1/4<br>NUT                             |    |      |      |       |             |
| 71  | 1129700276 | 1    |       | RUBINETTO UNIVERSALE<br>TAP                  |    |      |      |       |             |
| 72  | 1127110003 | 1    |       | MANOMETRO D40<br>PRESSURE GAUGE              |    |      |      |       |             |
| 73  | 1127110004 | 1    |       | MANOMETRO D50<br>PRESSURE GAUGE              |    |      |      |       |             |
| 76. | X          | 4    |       | RONDELLA D8<br>WASHER                        |    |      |      |       |             |
| 77  | 1127280005 | 1    |       | MANOPOLA<br>KNOB                             |    |      |      |       |             |
| 78  | 1125010193 | 1    |       | BASE<br>BASE PLATE                           |    |      |      |       |             |
| 82. | X          | 4    |       | DADO M8<br>NUT                               |    |      |      |       |             |
| 100 | 1129102623 | 1    |       | GRUPPO POMPANTE<br>PUMP UNIT                 |    |      |      |       |             |
| 101 | 1129704855 | 1    |       | TUBO ALIMENTAZIONE KIT<br>INFEED HOSE        |    |      |      |       |             |
| 102 | 1124080392 | 1    |       | KIT GOMMINO<br>KIT                           |    |      |      |       |             |

Q.ty = Quantità unitaria / Single unit quantity / Quantité unitaire / Cantidad unitaria / Einzeleinheitsmenge

Q.ty\* = Ricambi consigliati in percentuale / Suggested spare parts in percentage / Pièces de rechange suggérées en pourcentage / Piezas de repuesto sugeridas en porcentaje / Vorgeschlagene Ersatzteile in Prozent

Model: .....9LT\_MS25 (MULTI).....  
Code: .....X.....  
Valid from: 01/06/2017.....  
Tav.: .....1129102623\_00.....

