

Ersatzteilliste Spare Parts

DIE DRUCKLUFT
FÜR IMMER.
SEIT 1919.

Ein Unternehmen der Atlas Copco Gruppe.



www.agre.at

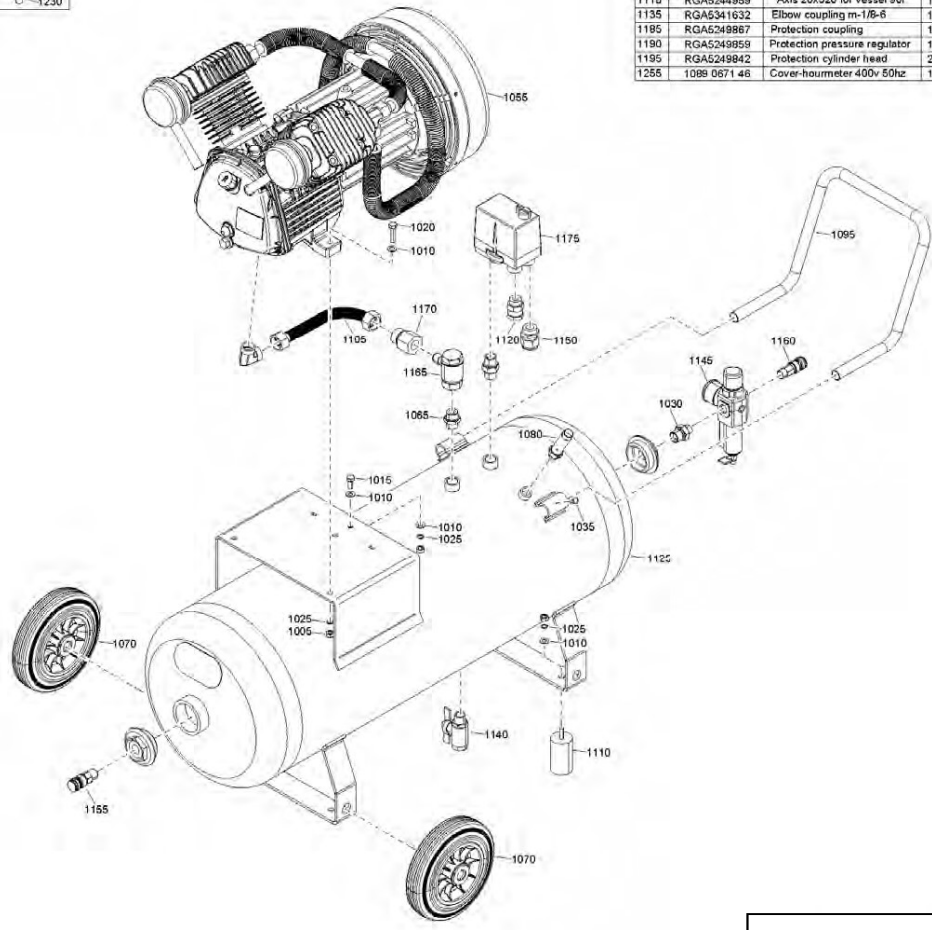
Modell: Boss 7002 D

Best.Nr.: 8115435485





Not illustrated			
Ref	Part Number	Designation	Qty
1040	6214 3464 00	Seeger 20 c/coperchio x assale	2
1045	RGA5017074	Insert sleeve 4x3,2x10	1
1100	2236 1054 66	Extension 3/8 x 60 exagonal	1
1116	RGA5244950	Axis 20x520 for vessel 90l	1
1135	RGA5341632	Elbow coupling m-1/8-6	1
1185	RGA5249887	Protection coupling	1
1180	RGA5249959	Protection pressure regulator	1
1195	RGA5249842	Protection cylinder head	2
1255	1089 0871 46	Cover-houmeter 400v 50hz	1



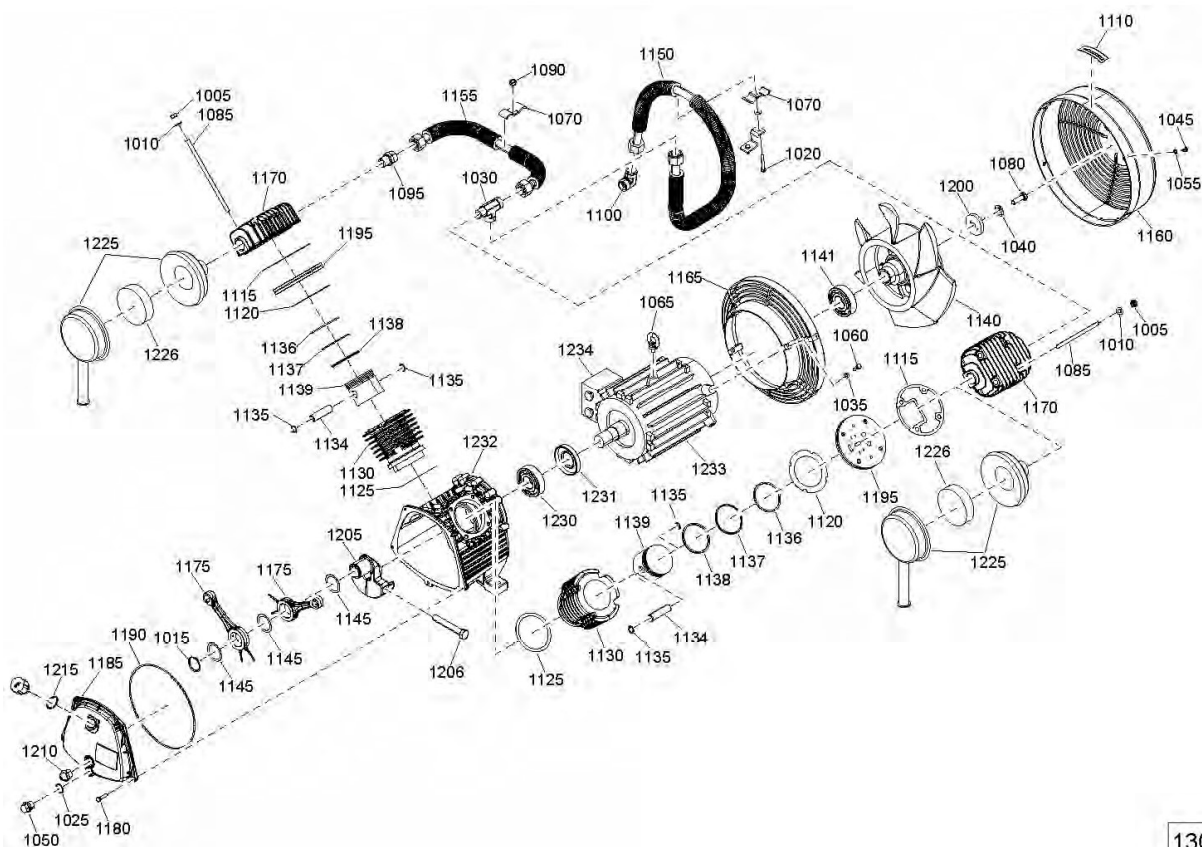
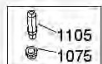
9820840114

8115435485

9820840114					
REF	ITEM N.	ITEM DESCRIPTION	ITEM DESCRIPTION	ITEM DESCRIPTION	Q.TY
1005	0266 2110 00	Nut			2
1010	0301 2335 00	Washer			5
1015	0147 1323 03	Screw			1
1020	RGA1207141	Hexagon screw			2
1025	RGA1236801	Spring washer			5
1030	1503 2564 12	Nipple			1
1035	RGA1244912	Hexagon screw			2
1040	6214 3464 00	Seeger			2
1045	RGA5017074	Insert sleeve			1
1055	1305 5051 14	Power pack			1
1065	RGA5068937	Nipple			1
1070	2236 1121 79	Wheel			2
1080	RGA5193537	Safety valve			1
1095	RGA523001L	Handle			1
1100	2236 1054 66	Extension			1
1105	RGA5235346	Cooler pipe			1
1110	6214 3456 00	Antivibration pad			2
1115	RGA5244959	Axis			1
1120	0698 5140 41	Cable gland			2
1125	1305 5001 80	Vessle			1
1130	RGA5245303	Manometer			1
1135	RGA5341632	Elbow coupling			1
1140	6210 7202 00	Ball valve			1
1145	RGA5326541	Regulator			1
1150	0698 5141 22	Cable gland			1
1155	RGA5341576	Quick coupling			1
1160	RGA5341584	Quick coupling			1
1165	RGA5345368	Check valve			1
1170	RGA5345448	Coupling			1
1175	2236 1122 90	Pressure switch			1

9820840114					
REF	ITEM N.	ITEM DESCRIPTION	ITEM DESCRIPTION	ITEM DESCRIPTION	Q.TY
1185	RGA5249867	Protection coupling			1
1190	RGA5249859	Protection pressure regulator			1
1195	RGA5249842	Protection cylinder head			2
1225	RGA1249747	Reducing nipple			1
1230	2236 1001 67	Plug			2
1255	1089 0671 46	Cover-hourmeter			1

MEK-601-D



1305 5051 14-01

Kit

1305505114 - MEK-601-D					
REF	ITEM N.	ITEM DESCRIPTION			Q.TY
?	2236115408	Filter element			1
REF	ITEM N.	ITEM DESCRIPTION			QTY
1200	1305 5089 05	Valve plate assy			1
PISTON RING KIT CYLINDER CODE 2901320325					
REF	ITEM N.	ITEM DESCRIPTION			QTY
1010	0301 2335 00	Washer			4
1085	1305 5089 10	Gasket			1
1090	1305 5088 90	Gasket			1
1106	1305 5088 80	Piston ring			1
1107	1305 5088 70	Piston ring			1
1108	1305 5088 60	Piston ring			1
1095	1305 5088 30	Gasket			1

List

1305505114 - MEK-601-D					
REF	ITEM N.	ITEM DESCRIPTION	ITEM DESCRIPTION	ITEM DESCRIPTION	Q.TY
	1305 5051 14	AGGR MEK 601 D			1
1005	0266 2110 00	Nut			8
1010	0301 2335 00	Washer			8
1015	2236 1008 52	Circlip			1
1020	2236 1006 55	Vite			1
1025	2236 1007 85	Rond.			1
1030	1305 5089 40	Elbow coupling			1
1035	1305 5087 55	Spring washer			4
1040	1305 5087 85	Locking washer			1
1045	1305 5087 75	Screw			4
1050	1305 5089 60	Plug screw			1
1055	1305 5087 95	Spring washer			4
1060	0147 1247 03	Screw			4
1065	1305 5088 45	Eyebolt			1
1070	1305 5093 50	Clamp			2
1075	1305 5088 15	Reducing nipple			1
1080	0147 1363 03	Hexagon screw			1
1085	1305 5087 45	Stud			8
1090	0291 1110 00	Locknut			1
1095	1305 5089 30	Coupling straight			1
1100	1305 5088 20	Elbow coupling			1
1105	2236 1030 01	Tappo			1
1110	1305 5092 85	Label			1
1115	1305 5089 10	Gasket			2
1120	1305 5088 90	Gasket			2
1125	1305 5088 30	Gasket			2
1130	1305 5016 00	Cylinder			2

1305505114 - MEK-601-D					
REF	ITEM N.	ITEM DESCRIPTION	ITEM DESCRIPTION	ITEM DESCRIPTION	Q.TY
	1305 5093 42	Piston			2
1134	1305 5088 50	Piston pin			2
1135	0335 2118 00	Circlip			4
1136	1305 5088 80	Piston ring			2
1137	1305 5088 70	Piston ring			2
1138	1305 5088 60	Piston ring			2
1139	1305 5088 40	Piston			2
1140	1305 5029 00	Flywheel fan			1
1141		Fan bearing			1
1145	1305 5087 40	Disc			3
1150	1305 5088 05	Cooler pipe			1
1155	1305 5088 10	Cooler pipe			1
1160	1305 5087 30	Fancover			1
1165	1305 5087 10	Fancover support			1
1170	1305 5026 00	Cylinder head			2
1175	1305 5046 00	Connecting rod			2
1180	0147 1249 03	Hexagon screw			5
1185	1305 5044 00	Crankcase cover			1
1190	1305 5000 26	New gasket			1
1195	1305 5089 05	Valve plate assy			2
1200	1305 5093 44	Disc			1
1205	1305 5005 00	Crankshaft			1
1206		Screw			1
1210	1305 5087 80	Sight glass			1
1215	0653 9098 00	Flat gasket			1
1225	1305 5089 20	Suction filter			2
1226	2236 1154 08	Filter element			2

1305505114 - MEK-601-D					
REF	ITEM N.	ITEM DESCRIPTION	ITEM DESCRIPTION	ITEM DESCRIPTION	Q.TY
	1305 5094 82	Crankcase motor assy			1
1230	0502 3106 00	Bearing ball			1
1231	1305 5088 25	Radial shaft sealing ring			1
1232	1503 8292 00	Crankcase			1
1233	1305 5094 81	Motor			1
1234	1088 0003 02	Terminal board			1