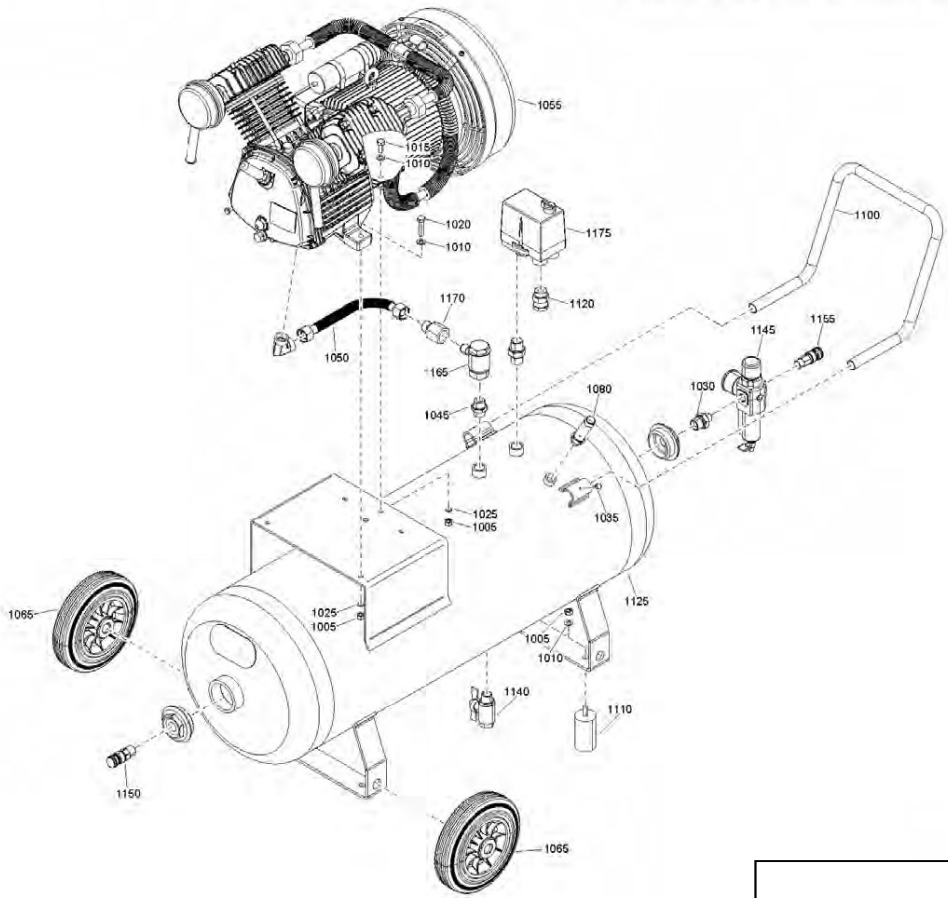


Not Illustrated			
Ref	Part Number	Designation	Qty
1040	6214 3464 00	Seeger	2
1105	2236 1054 66	EXTENSION 3/8 X 60 EXAGONAL	1
1115	RG45244959	AXIS 20X520 FOR VESSEL 90L	1
1135	RG45341632	ELBOW COUPLING M-1/8-6	1
1160	RG45345208	CABLE GLAND M20X1,5	1
1185	2236 1001 90	MANICOTTO 1/8 M 1/4 F FG. 246	2



9820840108

8115435471

9820840108					
REF	ITEM N.	ITEM DESCRIPTION	ITEM DESCRIPTION	ITEM DESCRIPTION	Q.TY
005	0266 2110 00	Nut			5
010	0301 2335 00	Washer			5
015	0147 1323 03	Screw			1
020	RGA1207141	Hexagon screw			2
025	RGA1236801	Spring washer			3
030	1503 2564 12	Nipple			1
035	RGA1244912	Hexagon screw			2
040	6214 3464 00	Seeger			2
045	RGA5068937	Nipple			1
050	RGA5087515	Cooler pipe			1
055	1305 5051 13	Power pack			1
065	2236 1121 79	Wheel			2
075	RGA5192364	Gasket			1
080	RGA5193537	Safety valve			1
100	RGA523001L	Handle			1
105	2236 1054 66	Extension			1
110	6214 3456 00	Antivibration pad			2
115	RGA5244959	Axis			1
120	0698 5140 41	Cable gland			2
125	1305 5001 80	Vessle			1
130	RGA5245303	Manometer			1
135	RGA5341632	Elbow coupling			1
140	6210 7202 00	Ball valve			1
145	RGA5326541	Regulator			1
150	RGA5341576	Quick coupling			1
155	RGA5341584	Quick coupling			1
160	RGA5345208	Cable gland			1
165	RGA5345368	Check valve			1
170	RGA5345440	Coupling			1

9820840108					
REF	ITEM N.	ITEM DESCRIPTION	ITEM DESCRIPTION	ITEM DESCRIPTION	Q.TY
175	2236 1122 92	Pressure switch			1
185	2236 1001 90	Sleeve			2
230	RGA1249747	Reducing nipple			1
235	2236 1001 67	Plug			2