

Ersatzteilliste Spare Parts

DIE DRUCKLUFT
FÜR IMMER.
SEIT 1919.

Ein Unternehmen der Atlas Copco Gruppe.



www.agre.at

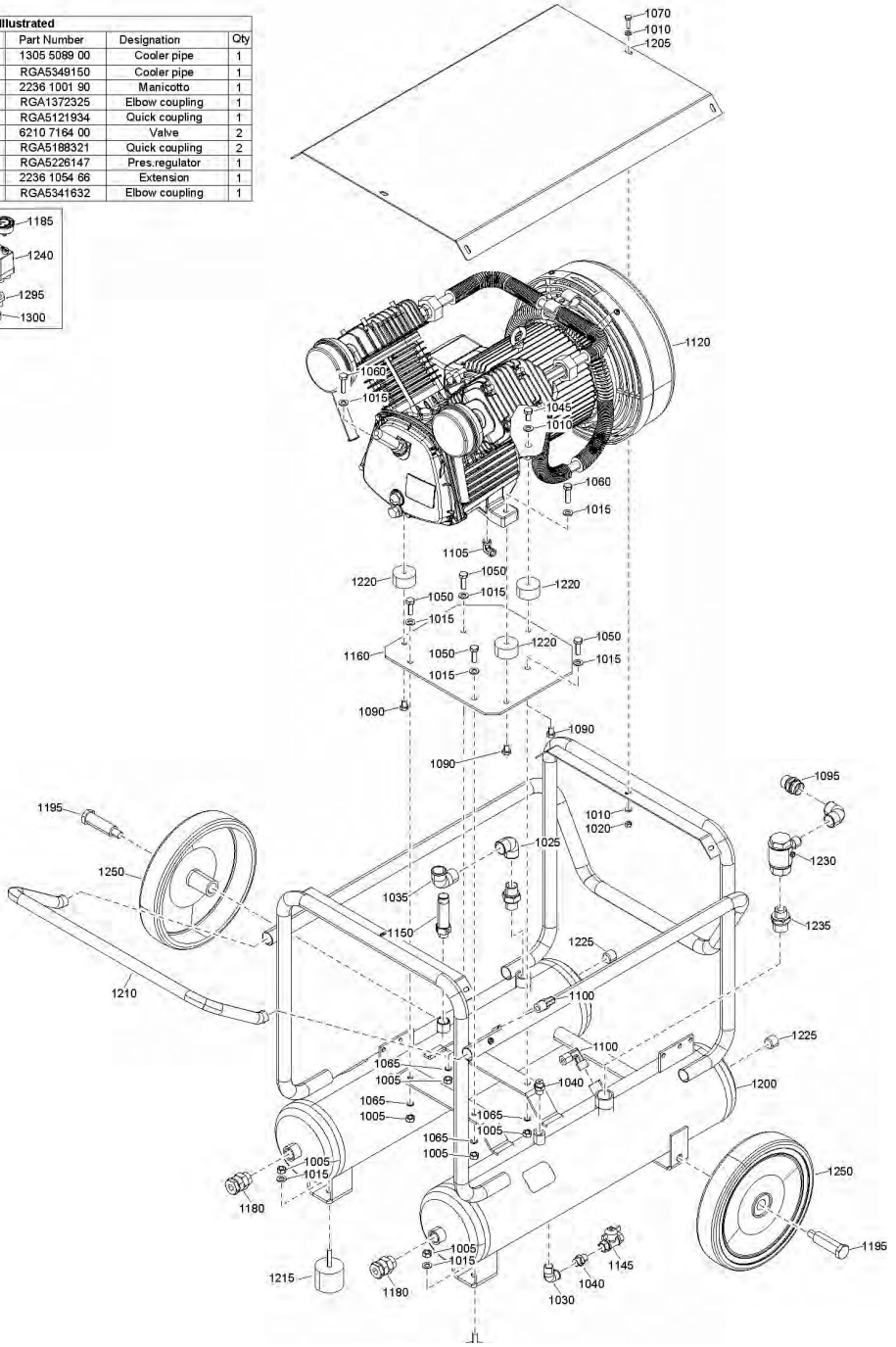
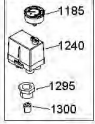
Modell: Bau Boss 6000 W

Best.Nr.: 8115435479



9820840106

Not illustrated			
Ref	Part Number	Designation	Qty
1075	1305 5089 00	Cooler pipe	1
1080	RGA5349150	Cooler pipe	1
1085	2236 1001 90	Manicotto	1
1110	RGA1372325	Elbow coupling	1
1125	RGA5121934	Quick coupling	1
1135	6210 7164 00	Valve	2
1140	RGA5188321	Quick coupling	2
1170	RGA5226147	Pres. regulator	1
1175	2236 1054 66	Extension	1
1190	RGA5341632	Elbow coupling	1

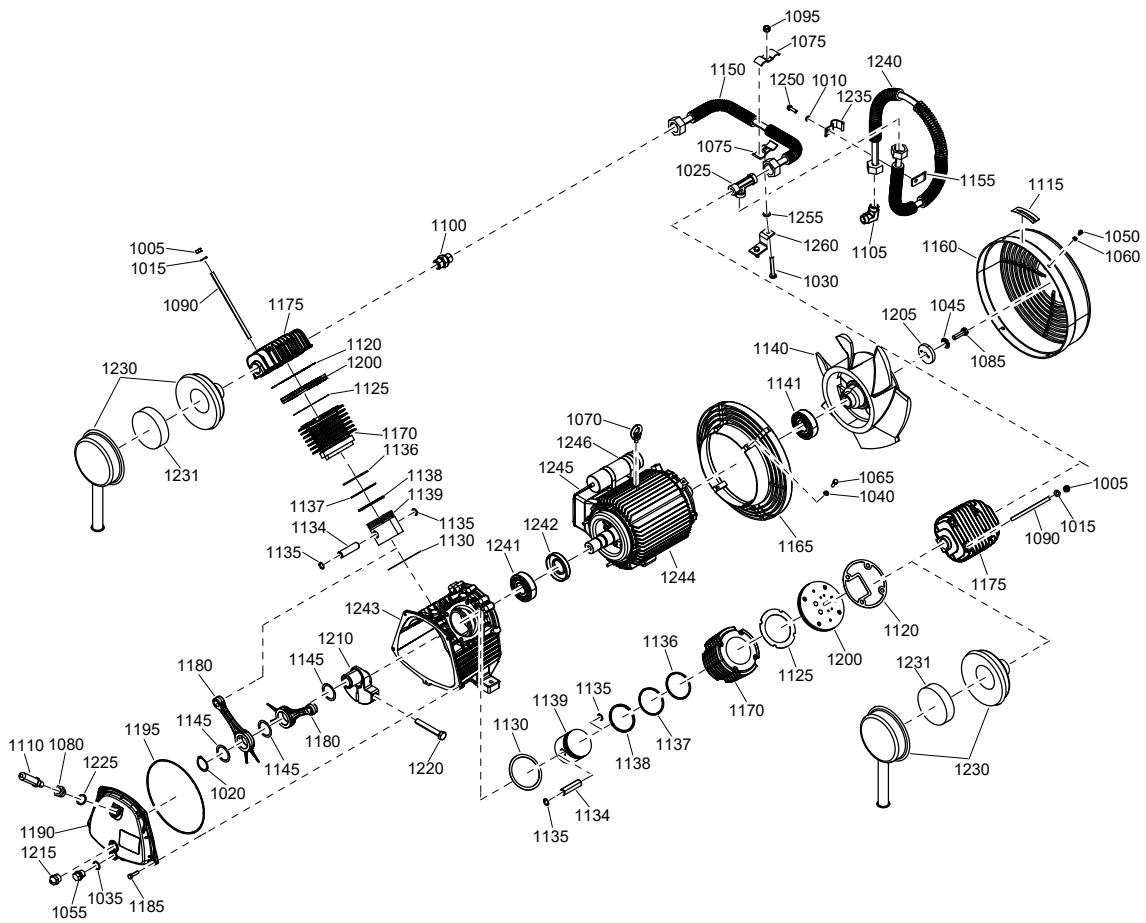


8115435479

9820840106					
<i>REF</i>	<i>ITEM N.</i>	<i>ITEM DESCRIPTION</i>	<i>ITEM DESCRIPTION</i>	<i>ITEM DESCRIPTION</i>	<i>Q.TY</i>
1005	0266 2110 00	Nut			6
1010	RGA1031251	Washer			12
1015	0301 2335 00	Washer			14
1020	2236 1007 03	Nut			6
1025	RGA1117407	Elbow coupling			1
1030	RGA1117720	Elbow coupling			3
1035	RGA1117746	Elbow coupling			1
1040	RGA1120419	Nipple			2
1045	0147 1322 03	Hexagon bolt			1
1050	0147 1325 03	Screw			4
1060	2236 1006 55	Screw			2
1065	RGA1236801	Spring washer			10
1070	0147 1247 03	Screw			6
1075	1305 5089 00	Cooler pipe			1
1080	RGA5349150	Cooler pipe			1
1085	2236 1001 90	Manicotto			2
1090	RGA1335942	Hexagon screw			3
1095	RGA1340397	Coupling straight			1
1100	RGA1340462	Elbow coupling			2
1105	RGA1361898	Elbow coupling			1
1110	RGA1372325	Elbow coupling			1
1120	1305 5051 13	Power pack			1
1125	RGA5121934	Quick coupling			1
1135	6210 7164 00	Valve			2
1140	RGA5188321	Quick coupling			2
1145	8973 0065 50	Ball valve			2
1150	RGA5193537	Safety valve			1
1160	1305 4001 00	Base plate			1
1170	RGA5226147	Pressure regulator			1

9820840106					
REF	ITEM N.	ITEM DESCRIPTION	ITEM DESCRIPTION	ITEM DESCRIPTION	Q.TY
1175	2236 1054 66	Extension			1
1180	0698 5140 41	Cable gland			2
1185	RGA5245303	Manometer			1
1190	RGA5341632	Elbow coupling			1
1195	6214 3485 00	Perno ruota			2
1200	1305 5001 76	Vessel			1
1205	1305 4000 00	Plate black			1
1210	1305 4002 00	Handle			1
1215	RGA5341856	Vibration pad			2
1220	RGA5343536	Vibration pad			3
1225	2236 1001 68	Plug			2
1230	RGA5345368	Check valve			1
1235	RGA5345584	Nipple			1
1240	2236 1122 92	Pressure switch			1
1250	6214 3479 00	Wheel			2
1295	RGA1249747	Reducing nipple			1
1300	2236 1001 67	Plug			2

MEK-461-W



1305 5051 13-01

Kit

1305505113 - MEK-461-W					
REF	ITEM N.	ITEM DESCRIPTION			Q.TY
?	2236115408	Filter element			1
REF	ITEM N.	ITEM DESCRIPTION			QTY
1200	1305 5089 05	Valve plate assy			1
PISTON RING KIT CYLINDER CODE 2901320325					
REF	ITEM N.	ITEM DESCRIPTION			QTY
1015	0301 2335 00	Washer			4
1120	1305 5089 10	Gasket			1
1125	1305 5088 90	Gasket			1
1136	1305 5088 80	Piston ring			1
1137	1305 5088 70	Piston ring			1
1138	1305 5088 60	Piston ring			1
1130	1305 5088 30	Gasket			1

List

1305505113 - MEK-461-W					
REF	ITEM N.	ITEM DESCRIPTION	ITEM DESCRIPTION	ITEM DESCRIPTION	Q.TY
	1305 5051 13	AGGR MEK 461 D	1		1
1005	0266 2110 00	Nut	8		8
1010	0300 0130 92	Washer	1		1
1015	0301 2335 00	Washer	8		8
1020	2236 1008 52	Seeger	1		1
1025	1305 5093 47	Elbow coupling	1		1
1030	2236 1006 55	Screw	1		1
1035	2236 1007 85	Washer	1		1
1040	1305 5087 55	Spring washer	4		4
1045	1305 5087 85	Locking washer	1		1
1050	1305 5087 75	Screw	4		4
1055	1305 5089 60	Plug screw	1		1
1060	1305 5087 95	Spring washer	4		4
1065	0147 1247 03	Screw	4		4
1070	1305 5088 45	Eyebolt	1		1
1075	1305 5093 50	Clamp	2		2
1080	1305 5088 15	Reducing nipple	1		1
1085	0147 1364 03	Hexagon screw	1		1
1090	1305 5087 45	Stud	8		8
1095	0291 1110 00	Locknut	1		1
1100	1305 5093 48	Coupling	1		1
1105	1305 5093 28	Elbow coupling	1		1
1110	2236 1030 01	Tappo	1		1
1115	1305 5092 85	Label	1		1
1120	1305 5089 10	Gasket	2		2
1125	1305 5088 90	Gasket	2		2
1130	1305 5088 30	Gasket	2		2

1305505113 - MEK-461-W					
REF	ITEM N.	ITEM DESCRIPTION	ITEM DESCRIPTION	ITEM DESCRIPTION	Q.TY
	1305 5093 42	Piston			2
1134	1305 5088 50	Piston pin			2
1135	0335 2118 00	Circlip			4
1136	1305 5088 80	Piston ring			2
1137	1305 5088 70	Piston ring			2
1138	1305 5088 60	Piston ring			2
1139	1305 5088 40	Piston			2
1140	1305 5029 00	Fan flywheel			1
1141		Fan bearing			1
1145	1305 5087 40	Disc			3
1150	1305 5093 49	Cooler pipe			1
1155	1305 5092 50	Support			1
1160	1305 5087 30	Fancover			1
1165	1305 5087 10	Fancover support			1
1170	1305 5019 00	Cylinder			2
1175	1305 5026 00	Cylinder head			2
1180	1305 5046 00	Connecting rod			2
1185	0147 1249 03	Hexagon screw			5
1190	1305 5044 00	Crankcase cover			1
1195	1305 5000 26	New gasket			1
1200	1305 5089 05	Valve plate assy			2
1205	1305 5093 44	Disc			1
1210	1305 5007 00	Crankshaft			1
1215	1305 5087 80	Sight glass			1
1220	0147 1110 12	Screw			1
1225	0653 9098 00	Flat gasket			1
1230	1305 5089 20	Suction filter			2
1231	2236 1154 08	Filter element			2
1235	1305 5094 27	Clamp fastening			1
1240	1305 5093 46	Cooler pipe			1

1305505113 - MEK-461-W					
REF	ITEM N.	ITEM DESCRIPTION	ITEM DESCRIPTION	ITEM DESCRIPTION	Q.TY
	1305 5093 54	Crankcase motor assy			1
1241	0502 3106 00	Bearing ball			1
1242	1305 5088 25	Radial shaft sealing ring			1
1243	1503 8292 00	Crankcase			1
1244	1305 5093 53	Motor			1
1245	1088 0003 08	Terminal board			1
1246	1088 0003 11	Capacitor			1
1250	0147 1247 03	Screw			4
1255	0301 2335 00	Washer			2
1260	1305 5094 58	Support			1