

Bau Boss 5000 D
8115425312

Ersatzteilliste Spare Parts

DIE DRUCKLUFT
FÜR IMMER.
SEIT 1919.

Ein Unternehmen der Atlas Copco Gruppe.

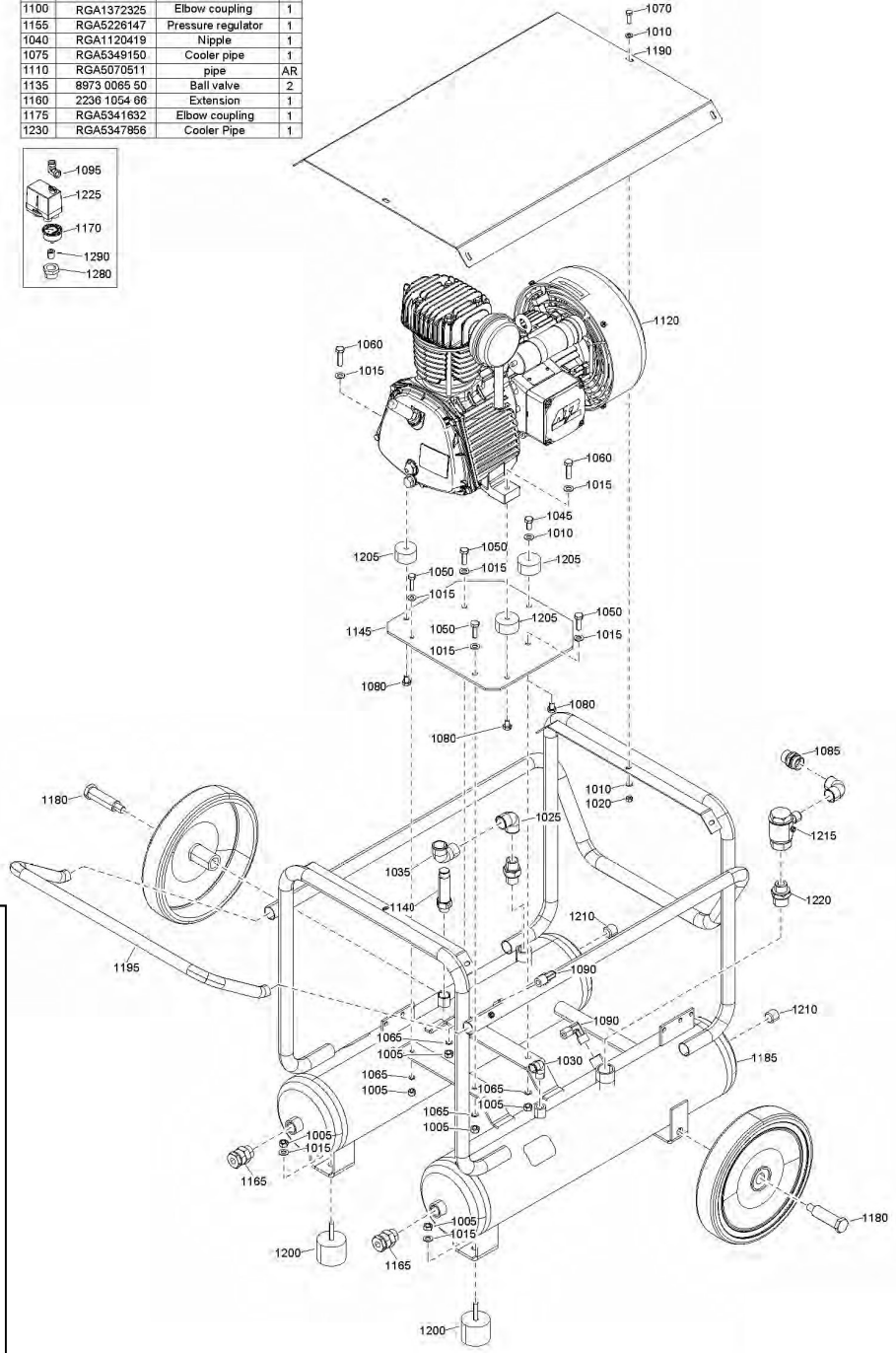
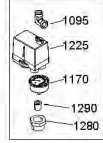


www.agre.at



9820840099

Not Illustrated			
Ref	Part Number	Designation	Qty
1100	RGA1372325	Elbow coupling	1
1155	RGA5226147	Pressure regulator	1
1040	RGA1120419	Nipple	1
1075	RGA5349150	Cooler pipe	1
1110	RGA5070511	pipe	AR
1135	8973 0066 50	Ball valve	2
1160	2236 1054 86	Extension	1
1175	RGA5341632	Elbow coupling	1
1230	RGA5347856	Cooler Pipe	1

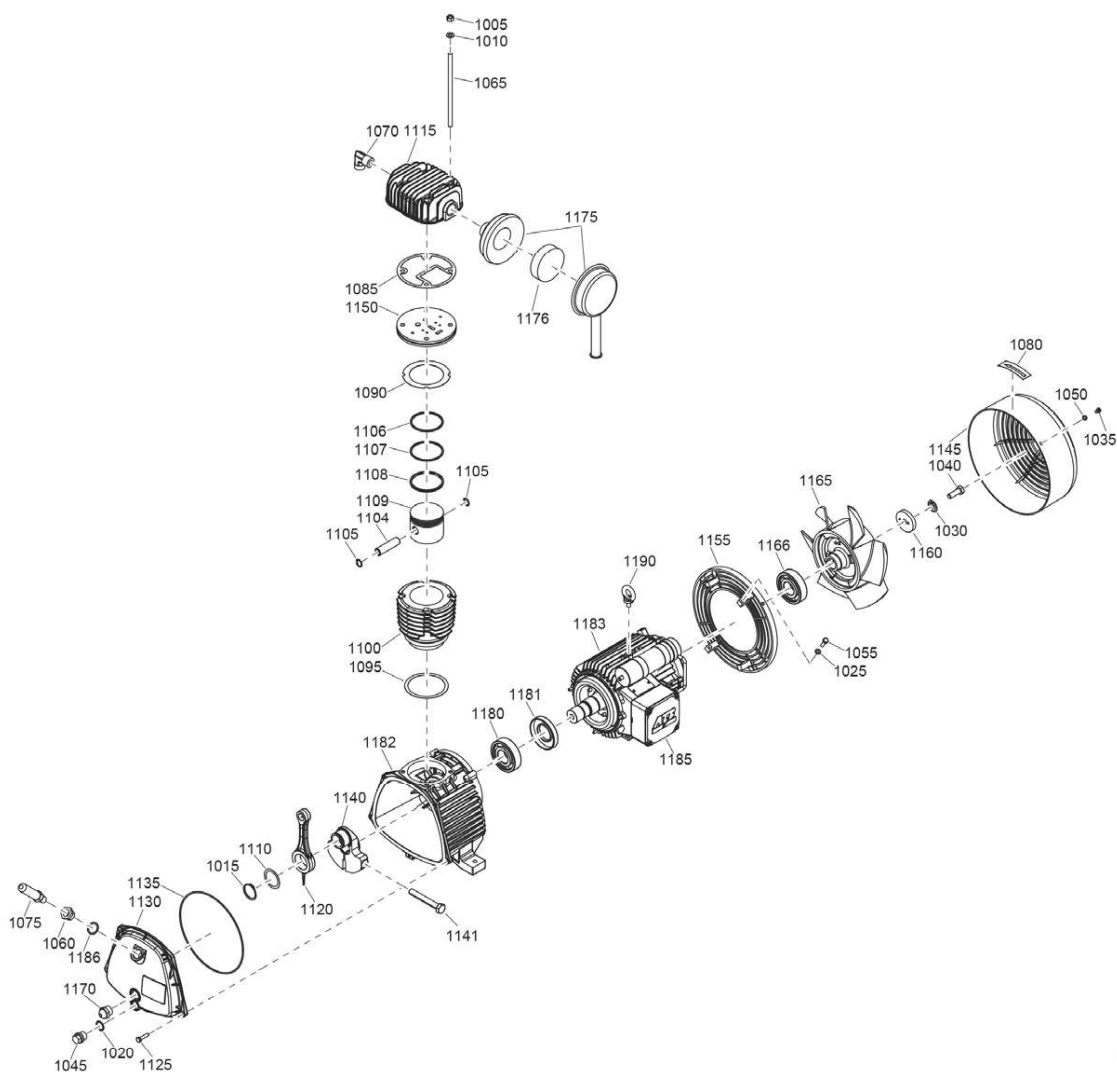


8115425312

9820840099					
REF	ITEM N.	ITEM DESCRIPTION	ITEM DESCRIPTION	ITEM DESCRIPTION	Q.TY
1005	0266 2110 00	Nut			6
1010	RGA1031251	Washer			12
1015	0301 2335 00	Washer			14
1020	2236 1007 03	Nut			6
1025	RGA1117407	Elbow coupling			1
1030	RGA1117720	Elbow coupling			3
1035	RGA1117746	Elbow coupling			1
1040	RGA1120419	Nipple			1
1045	0147 1322 03	Hexagon bolt			1
1050	0147 1325 03	Screw			4
1060	2236 1006 55	Screw			2
1065	RGA1236801	Spring washer			10
1070	0147 1247 03	Screw			6
1075	RGA5349150	Cooler pipe			1
1080	RGA1335942	Hexagon screw			3
1085	RGA1340397	Coupling straight			1
1090	RGA1340462	Elbow coupling			2
1095	RGA1361898	Elbow coupling			1
1100	RGA1372325	Elbow coupling			1
1110	RGA5070511	Pipe			AR
1120	1305 5051 11	Power pack			1
1135	8973 0065 50	Ball valve			2
1140	RGA5193537	Safety valve			1
1145	1305 4001 00	Base plate			1
1155	RGA5226147	Pressure regulator with manometer			1
1160	2236 1054 66	Extension			1
1165	0698 5140 41	Cable gland			2
1170	RGA5245303	Manometer			1

9820840099					
REF	ITEM N.	ITEM DESCRIPTION	ITEM DESCRIPTION	ITEM DESCRIPTION	Q.TY
1175	RGA5341632	Elbow coupling			1
1180	6214 3485 00	Pin			2
1185	1305 5001 76	Vessel			1
1190	1305 4000 00	Plate black			1
1195	1305 4002 00	Handle			1
1200	RGA5341856	Vibration pad			2
1205	RGA5343536	Vibration pad			3
1210	2236 1001 68	Plug			2
1215	RGA5345368	Check valve			1
1220	RGA5345584	Nipple			1
1225	2236 1122 88	Pressure switch			1
1230	RGA5347856	Cooler pipe			1
1280	RGA1249747	Reducing nipple			1
1290	2236 1001 67	Plug			2

MKK-301-D



1305 5051 11-01

Kit

1305505111 - MKK-301-D					
REF	ITEM N.	ITEM DESCRIPTION			Q.TY
?	2236115408	Filter element			1
REF	ITEM N.	ITEM DESCRIPTION			QTY
1150	1305 5089 05	Valve plate assy			1
PISTON RING KIT CYLINDER CODE 2901320325					
REF	ITEM N.	ITEM DESCRIPTION			QTY
1010	0301 2335 00	Washer			4
1085	1305 5089 10	Gasket			1
1090	1305 5088 90	Gasket			1
1106	1305 5088 80	Piston ring			1
1107	1305 5088 70	Piston ring			1
1108	1305 5088 60	Piston ring			1
1095	1305 5088 30	Gasket			1

List

1305505111 - MKK-301-D					
REF	ITEM N.	ITEM DESCRIPTION	ITEM DESCRIPTION	ITEM DESCRIPTION	Q.TY
	1305 5051 11	AGGR MKK 301 D			1
1005	0266 2110 00	Nut			4
1010	0301 2335 00	Washer			4
1015	2236 1008 52	Circlip			1
1020	2236 1007 85	Washer			1
1025	1305 5087 55	Spring washer			4
1030	1305 5087 85	Locking washer			1
1035	1305 5087 75	Screw			4
1040	0147 1363 03	Hexagon screw			1
1045	1305 5089 60	Plug screw			1
1050	1305 5087 95	Spring washer			4
1055	0147 1247 03	Screw			4
1060	1305 5088 15	Reducing nipple			1
1065	1305 5087 45	Stud			4
1070	1305 5092 90	Elbow coupling			1
1075	2236 1030 01	Tappo			1
1080	1305 5092 85	Label			1
1085	1305 5089 10	Gasket			1
1090	1305 5088 90	Gasket			1
1095	1305 5088 30	Gasket			1
1100	1305 5016 00	Cylinder			1
	1305 5093 42	Piston			1
1104	1305 5088 50	Piston pin			1
1105	0335 2118 00	Circlip			2
1106	1305 5088 80	Piston ring			1

1305505111 - MKK-301-D					
REF	ITEM N.	ITEM DESCRIPTION	ITEM DESCRIPTION	ITEM DESCRIPTION	Q.TY
	1305 5051 11	AGGR MKK 301 D			1
1107	1305 5088 70	Piston ring			1
1108	1305 5088 60	Piston ring			1
1109	1305 5088 40	Piston			1
1110	1305 5087 40	Disc			1
1115	1305 5026 00	Cylinder head			1
1120	1305 5046 00	Connecting rod			1
1125	0147 1249 03	Hexagon screw			5
1130	1305 5044 00	Crankcase cover			1
1135	1305 5000 26	New gasket cover/crankcase			1
1140	1305 5002 00	Crankshaft			1
1141		Screw			1
1145	1305 5092 80	Fancover			1
1150	1305 5089 05	Valve plate assy			1
1155	1305 5092 70	Fancover support			1
1160	1305 5087 20	Disc			1
1165	1305 5027 00	Flywheel			1
1166		Fan bearing			1
1170	1305 5087 80	Sight glass			1
1175	1305 5089 20	Suction filter			1
1176	2236 1154 08	Filter element			1
	1305 5093 95	Crankcase motor assy			1
1180	0502 3106 00	Bearing ball			1
1181	1305 5088 25	Radial shaft sealing ring			1
1182	1305 5041 00	Crankcase			1
1183	1305 5093 77	Motor			1
1185		Terminal board			1
1186	0653 9098 00	Flat gasket			1
1190	1305 5088 45	Eyebolt			1