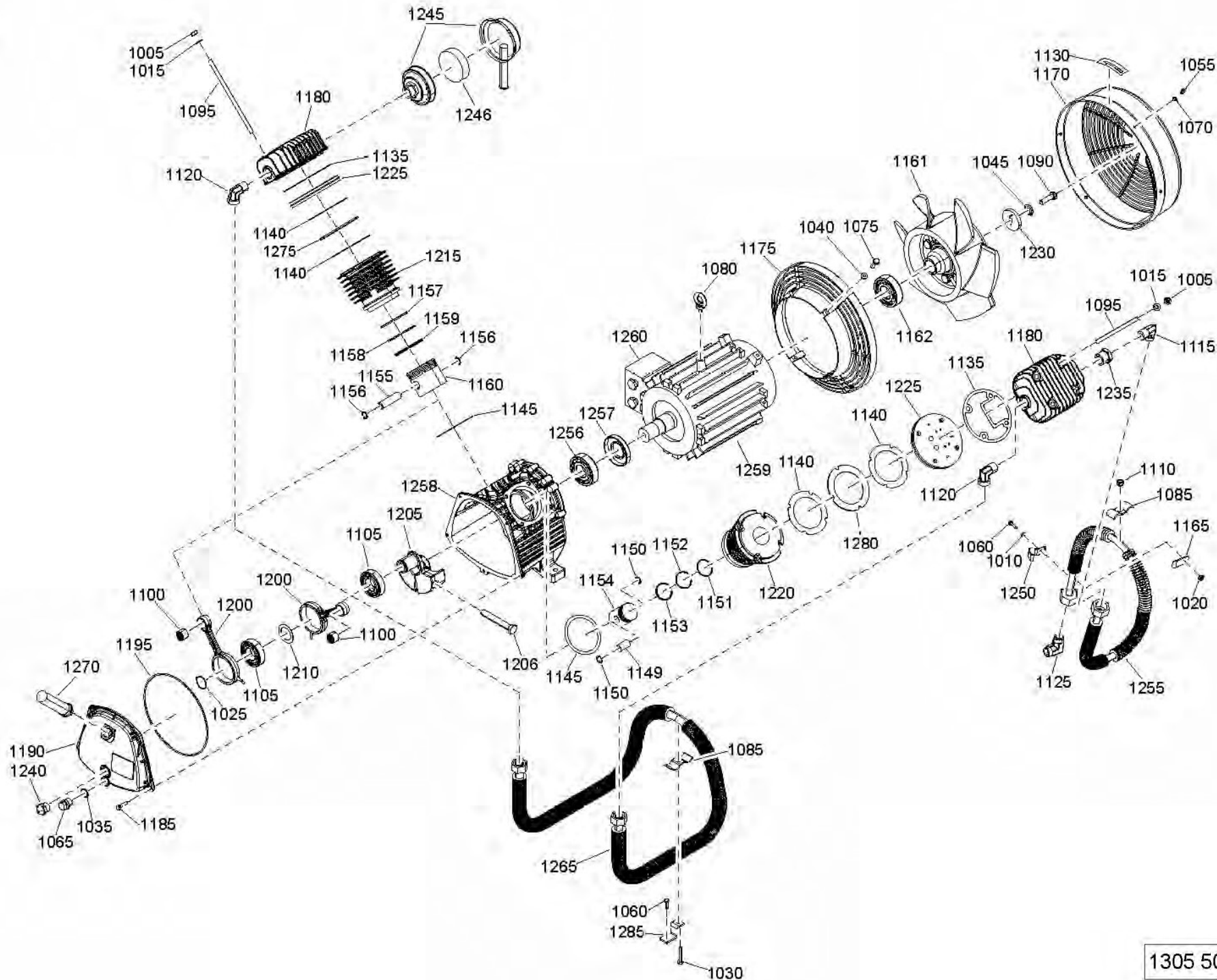
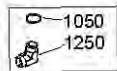


MGK-271-HH 20 BAR



Kit

1305505127 - MGK-271-HH 20 BAR					
REF	ITEM N.	ITEM DESCRIPTION	ITEM DESCRIPTION	ITEM DESCRIPTION	QTY
?	2236115408	Filter element			1
REF	ITEM N.	ITEM DESCRIPTION	ITEM DESCRIPTION	ITEM DESCRIPTION	QTY
1225	1305 5089 05	Valve plate assy			1
PISTON RING KIT LP CYLINDER CODE 2901320325					
REF	ITEM N.	ITEM DESCRIPTION			QTY
1015	0301 2335 00	Washer			4
1135	1305 5089 10	Gasket			1
1140	1305 5088 90	Gasket			2
1157	1305 5088 80	Piston ring			1
1158	1305 5088 70	Piston ring			1
1159	1305 5088 60	Piston ring			1
1145	6212 8655 00	Gasket			1
PISTON RING KIT HP CYLINDER CODE 2901320407					
REF	ITEM N.	ITEM DESCRIPTION			QTY
1015	0301 2335 00	Washer			4
1135	1305 5089 10	Gasket			1
1140	1305 5088 90	Gasket			2
1151	1305 5094 65	Piston ring			1
1152	1305 5094 66	Piston ring			1
1153	1305 5094 67	Piston ring			1
1145	1305 5093 63	Gasket			1

List

1305505127 - MGK-271-HH 20 BAR					
<i>REF</i>	<i>ITEM N.</i>	<i>ITEM DESCRIPTION</i>	<i>ITEM DESCRIPTION</i>	<i>ITEM DESCRIPTION</i>	<i>Q.TY</i>
	1305 5051 27	AGGR MGK 271 HH 20 BAR			1
005	0266 2110 00	Nut			8
010	0300 0130 92	Washer			1
015	0301 2335 00	Washer			8
020	2236 1007 03	Dado			1
025	0335 1132 00	Circlip			1
030	2236 1006 55	Vite			1
035	2236 1007 85	Rond			1
040	1305 5087 55	Spring washer			4
045	1305 5087 85	Locking washer			1
050	0653 1162 00	Gasket			1
055	1305 5087 75	Screw			4
060	0147 1247 03	Screw			2
065	1305 5089 60	Plug			1
070	1305 5087 95	Spring washer			6
075	0147 1247 03	Screw			4
080	1305 5088 45	Eyebolt			1
085	1305 5093 50	Clamp			2
090	0147 1364 03	Hexagon screw			1
095	1305 5087 45	Stud			8
100	0516 4005 24	Bearing needle			2
105	0502 2106 00	Ball bearing			2
110	0291 1110 00	Locknut			1
115	1305 5092 90	Elbow coupling			1
120	1305 5093 86	Elbow coupling			2
125	1305 5093 28	Elbow coupling			1
130	1305 5092 85	Label			1

1305505127 - MGK-271-HH 20 BAR					
<i>REF</i>	<i>ITEM N.</i>	<i>ITEM DESCRIPTION</i>	<i>ITEM DESCRIPTION</i>	<i>ITEM DESCRIPTION</i>	<i>Q.TY</i>
1135	1305 5089 10	Gasket			2
1140	1305 5088 90	Gasket			4
1145	1305 5088 30	Gasket			2
	1305 5093 89	Piston			1
1149	1305 5093 10	Piston pin			1
1150	0335 2118 00	Circlip			2
1151	1305 5094 65	Piston ring			1
1152	1305 5094 66	Piston ring			1
1153	1305 5094 67	Piston ring			1
1154	1305 5093 09	Piston			1
	1305 5093 42	Piston			1
1155	1305 5088 50	Piston pin			
1156	0335 2118 00	Circlip			
1157	1305 5088 80	Piston ring			
1158	1305 5088 70	Piston ring			
1159	1305 5088 60	Piston ring			
1160	1305 5088 40	Piston			
1161	1305 5029 00	Fan flywheel			1
1162		Fan bearing			1
1165	1305 5092 50	Support			1
1170	1305 5087 30	Fancover			1
1175	1305 5087 10	Fancover support			1
1180	1305 5026 00	Cylinder head			2
1185	0147 1249 03	Hexagon screw			5
1190	1305 5044 00	Crankcase cover			1
1195	1305 5000 26	New gasket			1
1200	1305 5051 00	Connecting rod			2

1305505127 - MGK-271-HH 20 BAR					
<i>REF</i>	<i>ITEM N.</i>	<i>ITEM DESCRIPTION</i>	<i>ITEM DESCRIPTION</i>	<i>ITEM DESCRIPTION</i>	<i>Q.TY</i>
1225	1305 5089 05	Valve plate assy			2
1230	1305 5093 44	Disc			1
1235	1305 5093 87	Reducing nipple			1
1240	1305 5087 80	Oil level sight glass			1
1245	1305 5089 20	Suction filter			1
1246	2236 1154 08	Filter element			1
1250	1305 5093 28	Clamp			1
1255	1305 5093 46	Cooler pipe			1
	1305 5093 01	Crankcase motor assy			1
1256	0502 3106 00	Bearing ball			1
1257	1305 5088 25	Radial shaft sealing ring			1
1258	1503 8292 00	Crankcase			1
1259	1305 5093 91	Motor			1
1260	1088 0003 02	Terminal board			1
1265	1305 5093 06	Cooler pipe			1
1270	6214 3415 00	Tappo			1
1275	1305 5094 75	Spacer			1
1280	1305 5094 76	Spacer			1
1285	1305 5094 58	Support			1